

# Nice PopKit

**For swing gates with leaves up to 2 m, also with large posts and lightweight structures.**

**Gear motor characteristics:**

**Sophisticated electronics:** slowdown, obstacle detection system, can be linked to the 8.2 kohm resistive sensitive edge.

**User-friendly:** release with personalised key designed.

**Sturdy, aluminium, anti-shearing arm.**

**Always ready for use:** continues to work even during power failures using optional (PS124) batteries that fit inside the motor.

**Exclusive functions:** photo-test, pedestrian gate, programmable input for functions such as open, close, photo2, open pedestrian and open partially.

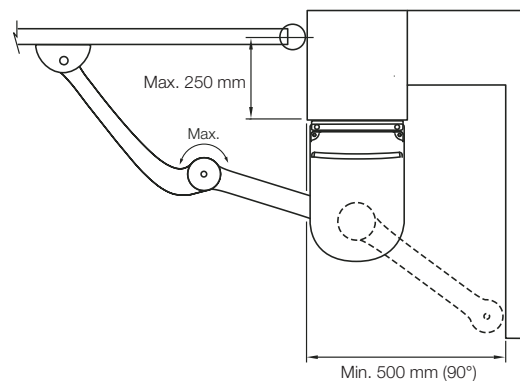
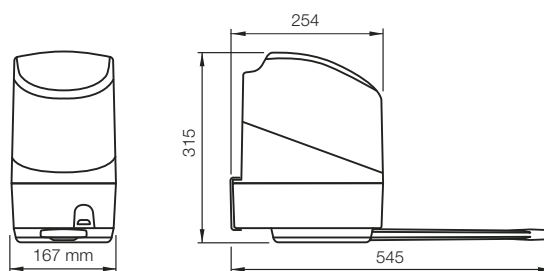
**Extra-small, shockproof body with aluminium base.**



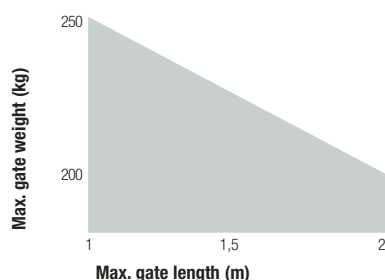
Technical specifications		PP7024	PP7224*
Power	(Vac 50 Hz)	230	-
Emergency power supply		PS124	
Current absorbed	(line) (A)	~1	3
Power absorbed	(W)	75	
Protection level	(IP)	44	
Torque	(Nm)	180	
Speed	(Rpm)	1.26-1.68	
Opening time	(s)	10	
Working temp.	(°C Min/Max)	-20 ÷ +50	
Insulation class		1	B
Work cycle	(%)	30	
Dimension	(mm)	167x315x254	
Weight	(kg)	21.6	

\* version without control unit

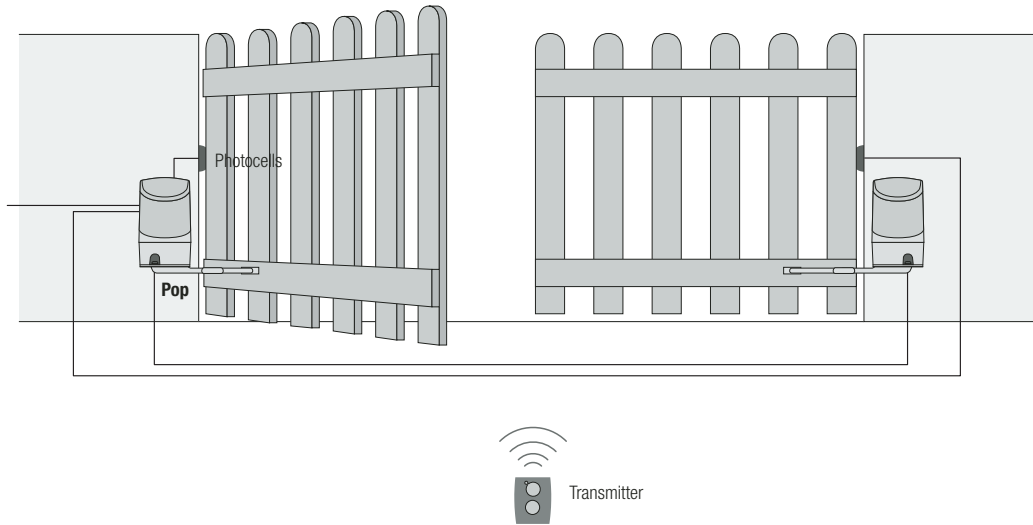
## Dimensions



## Utilisation limits



*The shape, the height of the gate and the weather conditions can considerably reduce the values shown in the graph to the side.*



Approximate draft

Product in details



Sturdy, aluminium, anti-shearing arm.

**PopKit**

For a pair of gates, rolling code control system, includes:

Nice Price **£ 000.00**



**PP7024**  
one irreversible gear motor, 24 Vdc, with articulated arm, with incorporated control unit  
1 pc



**PP7224**  
one irreversible gear motor, 24 Vdc, with articulated arm, without control unit  
1 pc



**ONE2**  
two transmitters 433.92 MHz, 2 channel  
1 pcs



**MOF**  
one pair of photoceils for outdoor installation  
1 pc



**OXI**  
receiver up to 4 channels with connector, without built-in transmitter